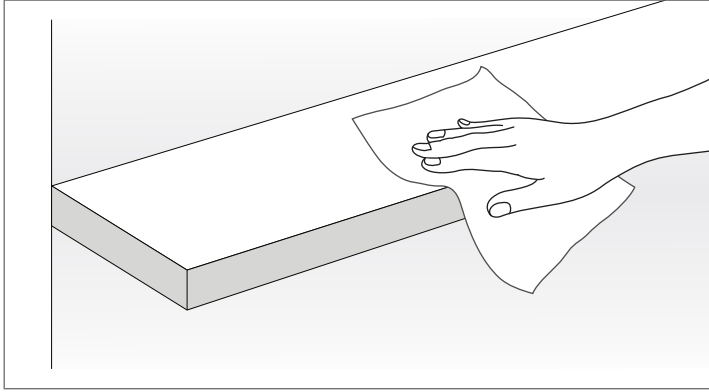


INSTALLATION GUIDE

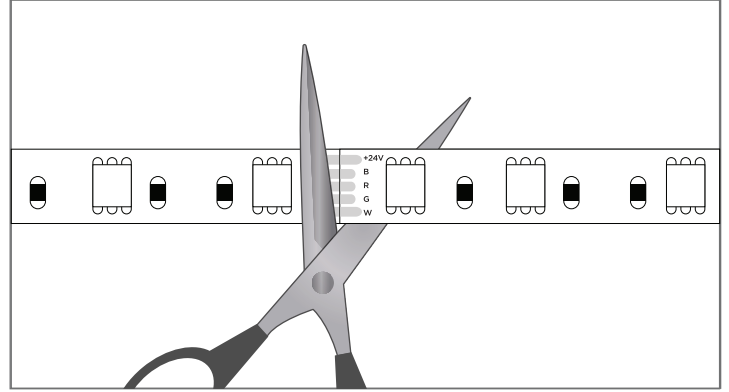
RGBW Strip Light

WARNING

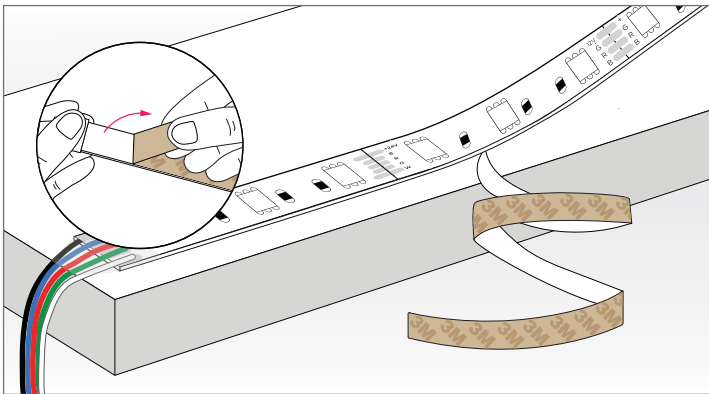
Electrical shock risk. Do not modify these products, as any alterations may void the warranty and compromise safety. Installation requires knowledge of electrical sign systems; if you are not qualified, please consult a certified electrician. Always disconnect the power supply before installing the product. Ensure the correct driver (12V or 24V) and adequate maximum wattage are used. Adhere to the specified guidelines for optimal results.



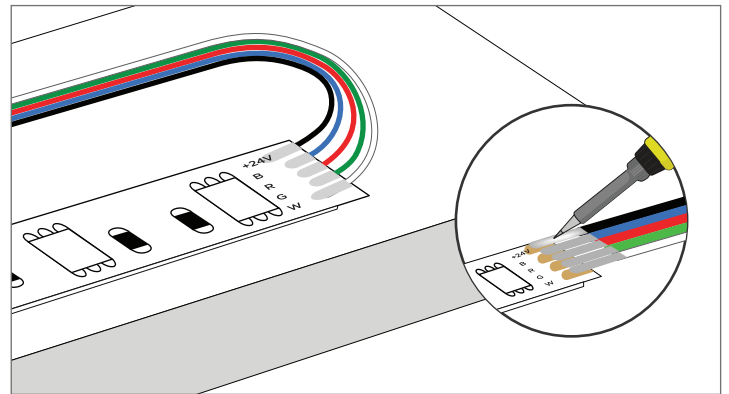
1 Clean and dry the areas shelf or wardrobe, where you're going to install the strip lights, ensuring it is free from any debris or dirt.



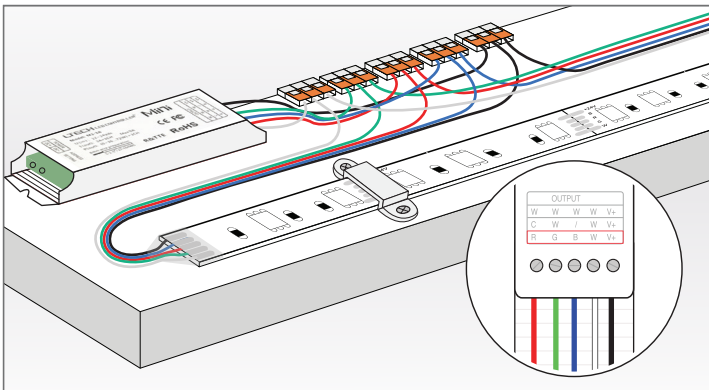
2 Cut the RGBW strip to the required length by following the cutting mark, ensuring that you prevent damage to the light.



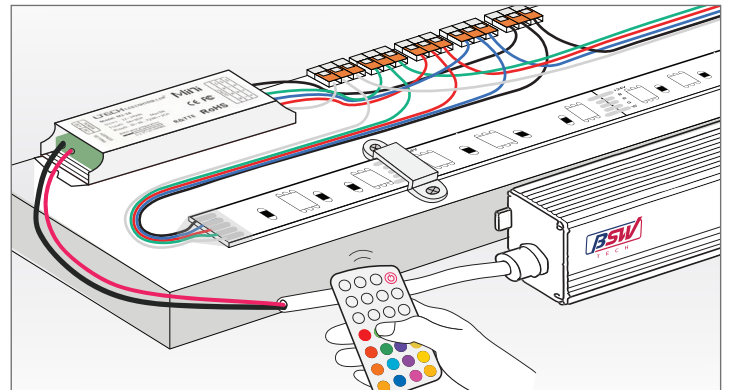
3 Remove the adhesive tape, position the RGBW strips carefully, ensuring they are straight, and press firmly. Avoid removing and reapplying the strip (see Figure 1 on page 2).



4 After cutting the strip to the required length, connect the standard wire or jump wire by soldering it to the end of the strip. Ensure you follow the correct polarity (+, -).



5 Connect the RGBW controller to RGBW strips to operating functions. WAGO connectors enable quick wiring of LEDs in series. *Polarity must be matched (+, -).



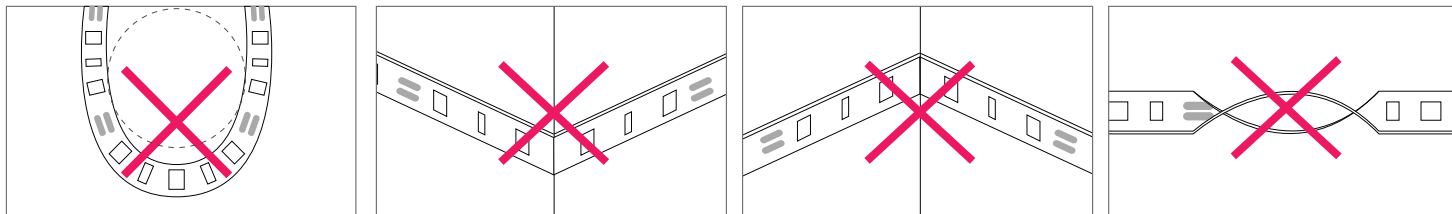
6 Wire both ends of RGBW strips to the power supply. For multiple series, connect them in parallel (refer to Figure 3 on page 2). Adjust the RGB strip with a remote control.

INSTALLATION GUIDE

RGBW Strip Light

Figure 1. Installation Precautions

Ensure safety and optimal performance by following these essential guidelines during LED strip light installation.



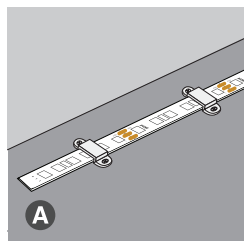
LED Strip should not be bent more than 50mm.

LED Strip should not be bent at 90°.

LED Strip should not be twisted.

Figure 2. Accessories

We have a mounting clip to keep the strip to keep the strip secure and prevent bending or detaching.

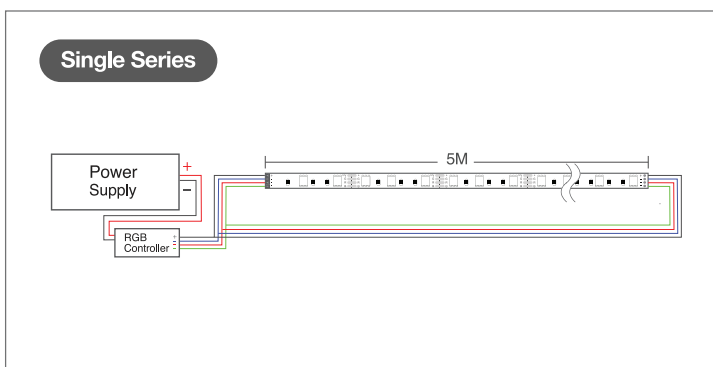


Product	Type	Itemcode	Usage
*Mount & Screws For outdoor	Ⓐ Mount & Finish	SA 9911	10mm 12mm

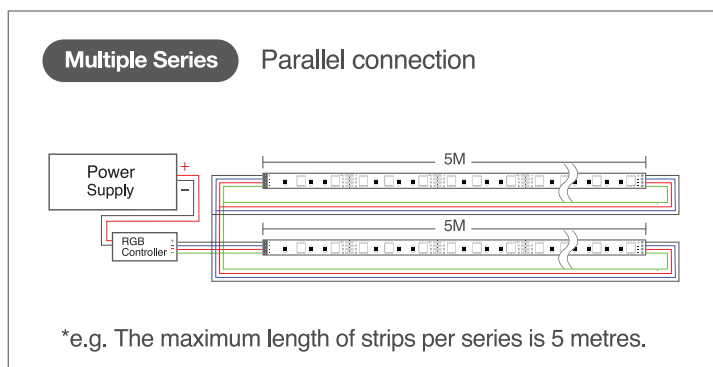
*For mount usage - Primary: Outdoor LED Strips / Optional: Indoor LED Strips

Figure 3. Max In Series

Check Polarity : All connections must be **RED-TO-RED (+)** and **BLACK-TO-BLACK(-)**. Reverse polarity connections may damage the LEDs and will void the product warranty.



Do not exceed the maximum length of LED strips per series (refer to each item's spec sheet). We recommend wiring both ends of LED strips to the power supply.



*e.g. The maximum length of strips per series is 5 metres.

If you require **multiple strips**, they must be wired in parallel as a safe electrical operation mode. **Serial connection is not recommended**, as unbalanced voltage drops can lead to hazardous overload, potentially damaging the LED strips and causing uneven brightness.